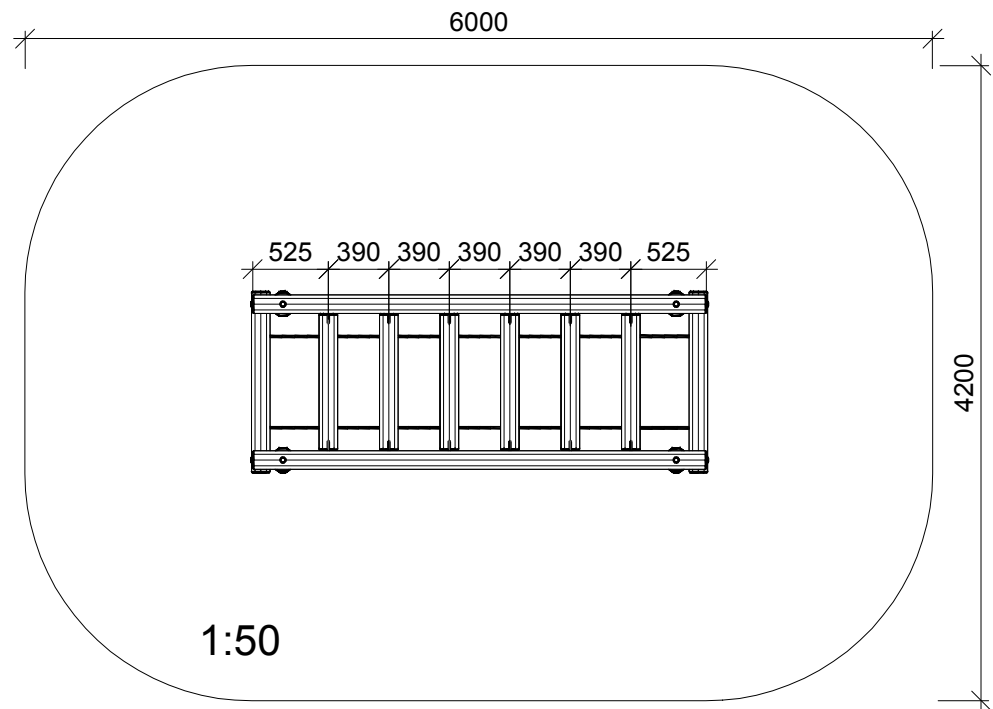
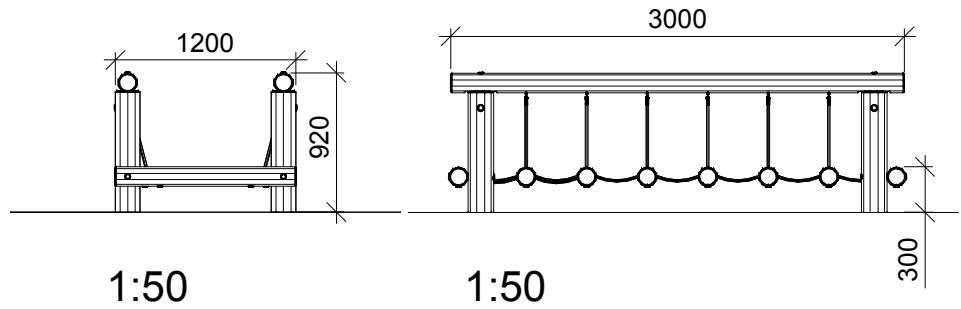
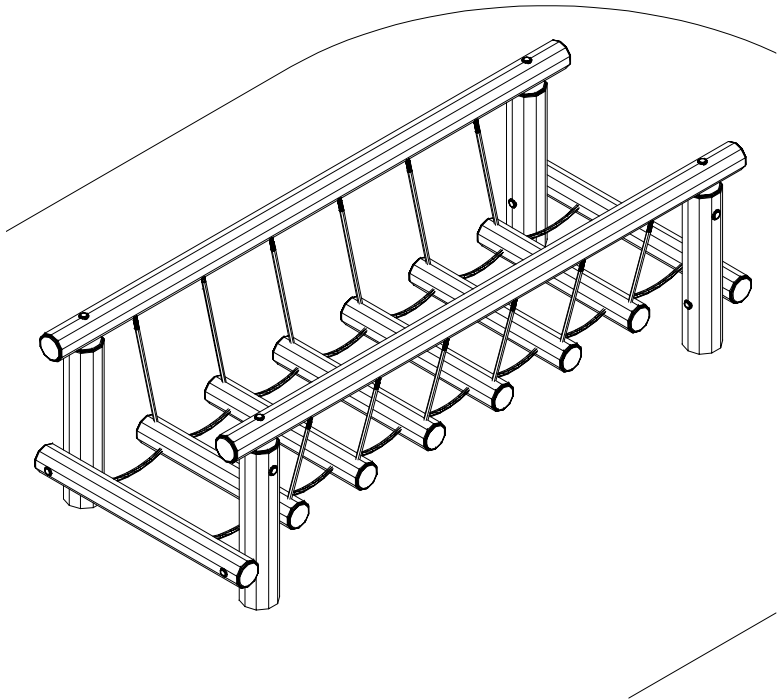


<b>NORLEG</b>	
Robinia bjælkebro	
LE 20500	
28.10.2009	REV. -

< 920



≥ EN 1176



This drawing is the property of NORLEG and pursuant to current legislation may not be copied, transferred to or used by any third party. Should this drawing be used, a fee of 10% of the assumed contract price will be charged.

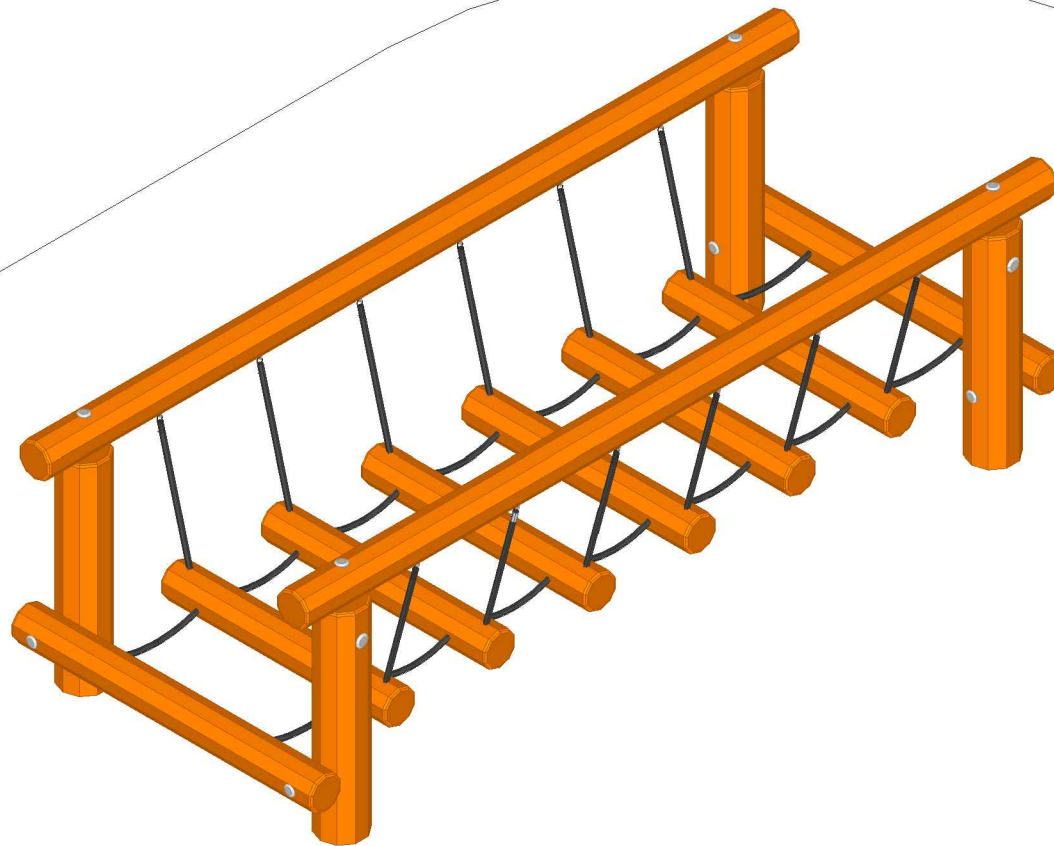
# NORLEG - 3D

Robinia bjælkebro

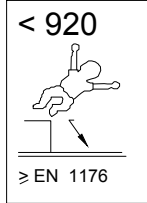
LE 20500

28.10.2009

REV. -



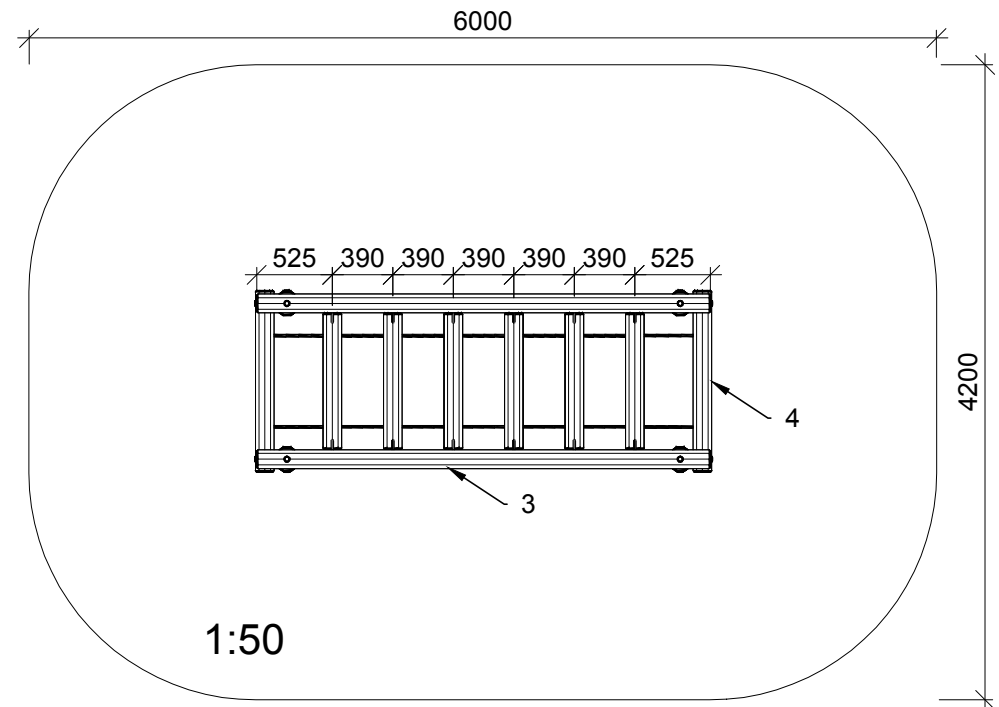
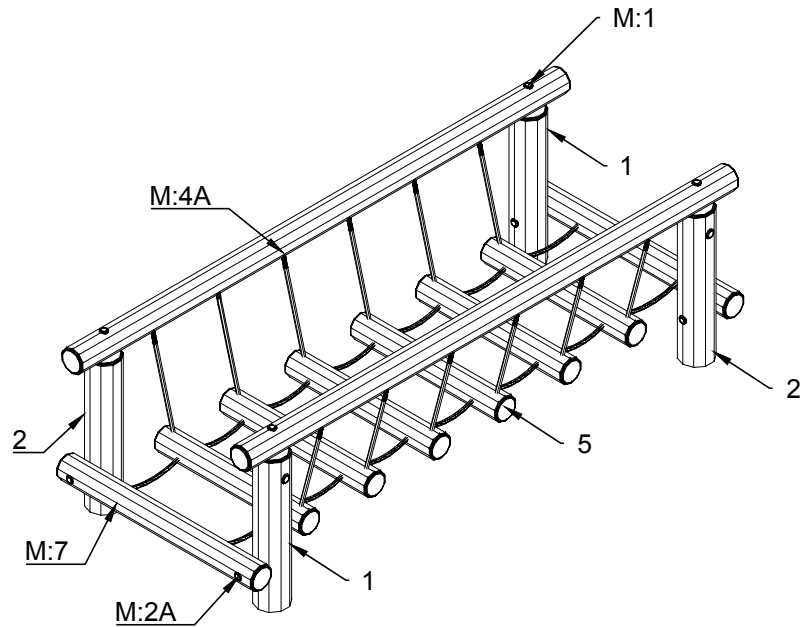
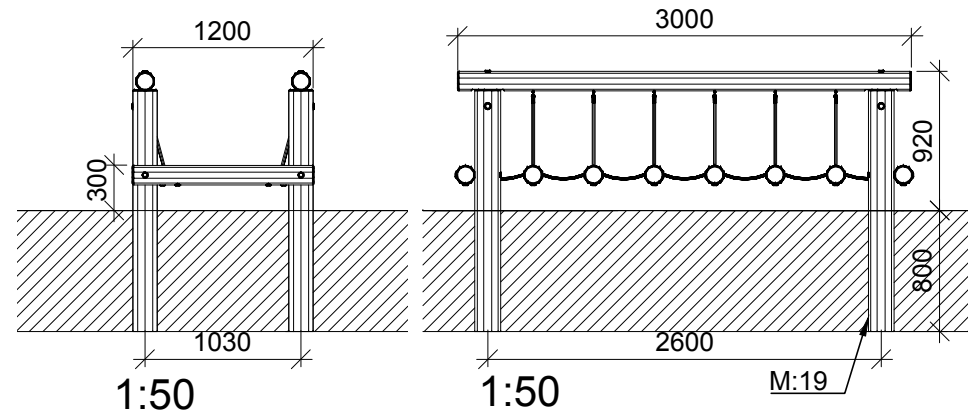
<b>NORLEG</b> - Mont.	
Robinia bjælkebro	
LE 20500	
28.10.2009	REV. -



Mont.p. nr.

- 1
- 2A
- 4A
- 7
- 19

Parts list		
Mrk.	QTY	Part.no
1	2	160-180-1600
2	2	160-180-1600
3	2	120-140-3000
4	2	120-140-1200
5	6	120-140-0900



This drawing is the property of NORLEG and pursuant to current legislation may not be copied, transferred to or used by any third party. Should this drawing be used, a fee of 10% of the assumed contract price will be charged.